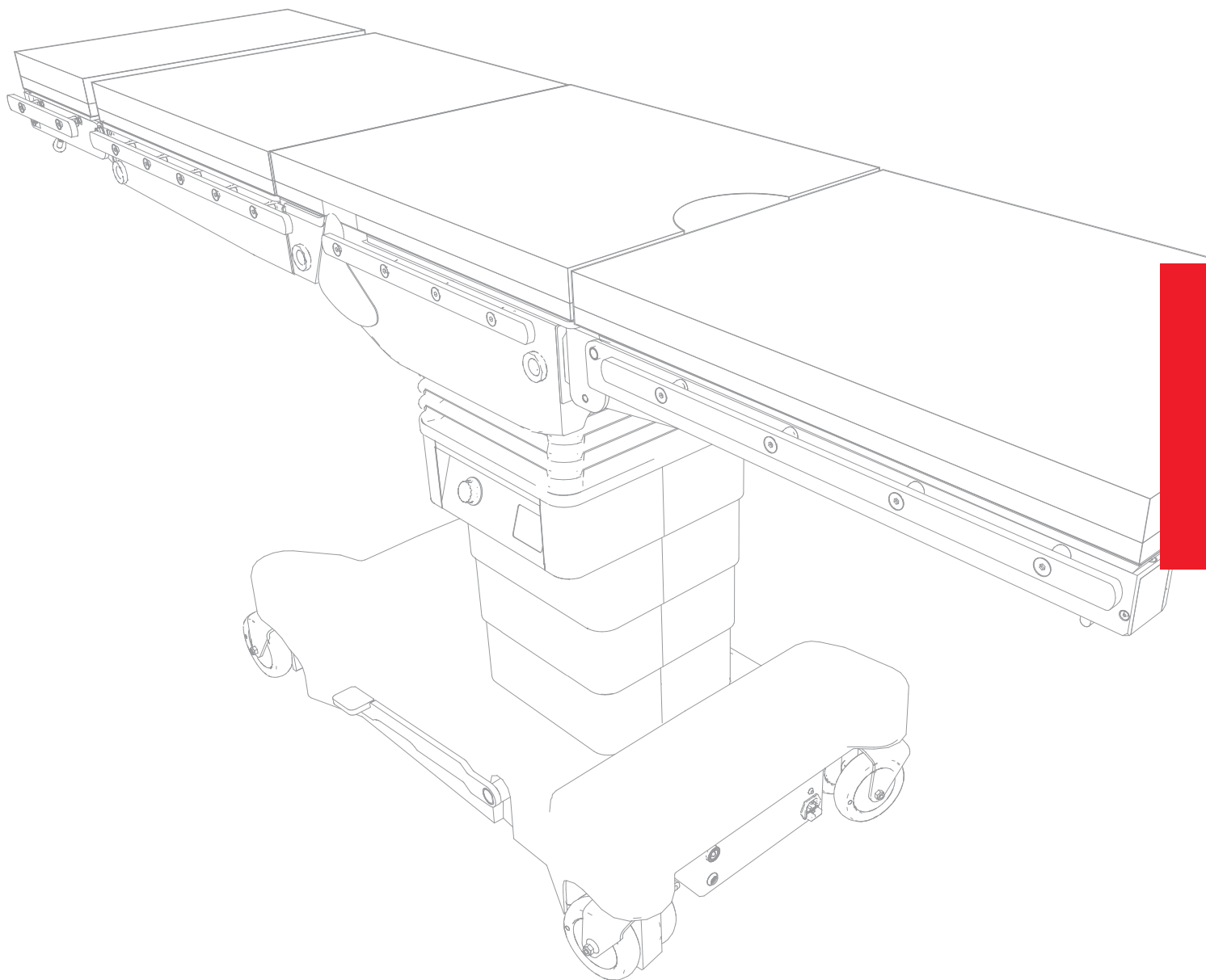


schaerer[®] axis

350



MOBILE VERSATILITY



Introduction

The new schaeerer® axis 350 is combining Swiss precision with longevity which leads to cost efficiency. Through its unique design, the operating table offers high versatility of all surgical applications.



A-Position



B-Position

CHARACTERISTICS

Benefits at a glance



For every patient

Maximum patient weight (static): 450 kg

Maximum patient weight (dynamic): 220 kg

Sliding to the max
300 mm table top sliding

Make it your size

schaerer® axis 350 High:
750 – 1120 mm column range
(without pad)

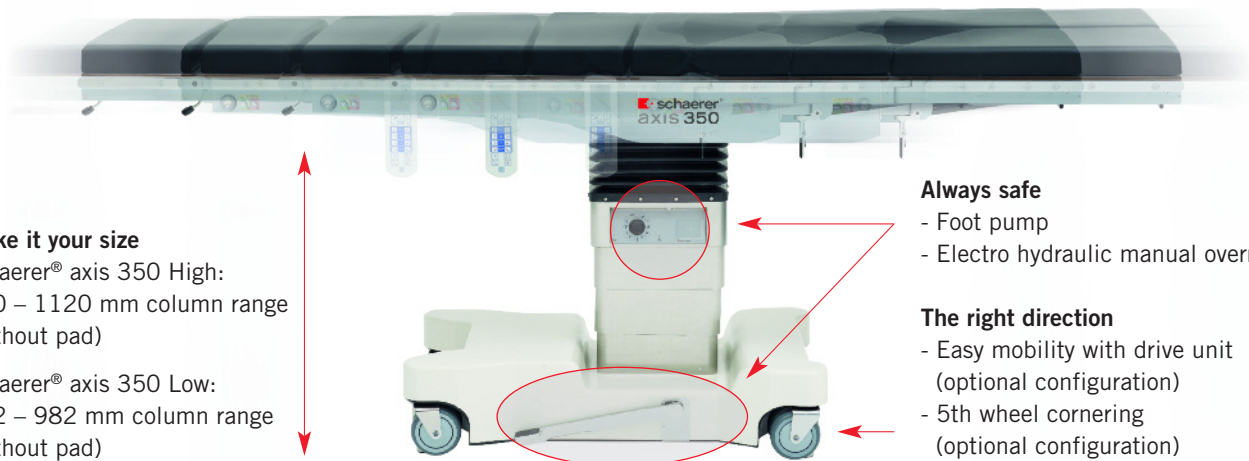
schaerer® axis 350 Low:
612 – 982 mm column range
(without pad)

Always safe

- Foot pump
- Electro hydraulic manual override

The right direction

- Easy mobility with drive unit (optional configuration)
- 5th wheel cornering (optional configuration)



Free to control

The intuitive hand control with colored touch screen is available in two versions:

- **92522 Hand Control, wired (standard)**
- **92523 Hand Control, wireless (optional, Bluetooth adapter)**

The colored touch display and backlit guided interface enables safe table manipulation:

- Intuitive interface design

The following features help to save time and ensures safe handling:

- Individually programmable memory function to store up to 10 frequently used patient position
- Interchangeable among the schaeerer® axis 350 tables



Positions

Through the mobile versatility concept, various accessories and the high patient weight capacity, the schaeerer® axis 350 can be used in all surgical disciplines - even for bariatric interventions.



For Nephrectomy and Postero-lateral Spinal Procedures



For Gynaecology / Urology Procedures



For Rectal Procedures



For Spinal Procedures



Bariatric Procedures

Dedicated accessories orthopaedics

92625 Shoulder Plate System

This system has been designed for schaeerer® axis 350. The device has two detachable side parts (left and right) to ensure easy and safe patient positioning for shoulder surgeries. The head rest system with an integrated ball joint gives a full flexibility of the head position. Disposable head pads ensure hygienic procedure.

Disposable head pads ordered separately:

A-90023 Head pad MTS for shoulder plate system (10 pieces)



92610 Orthopaedic- and traumatological accessories

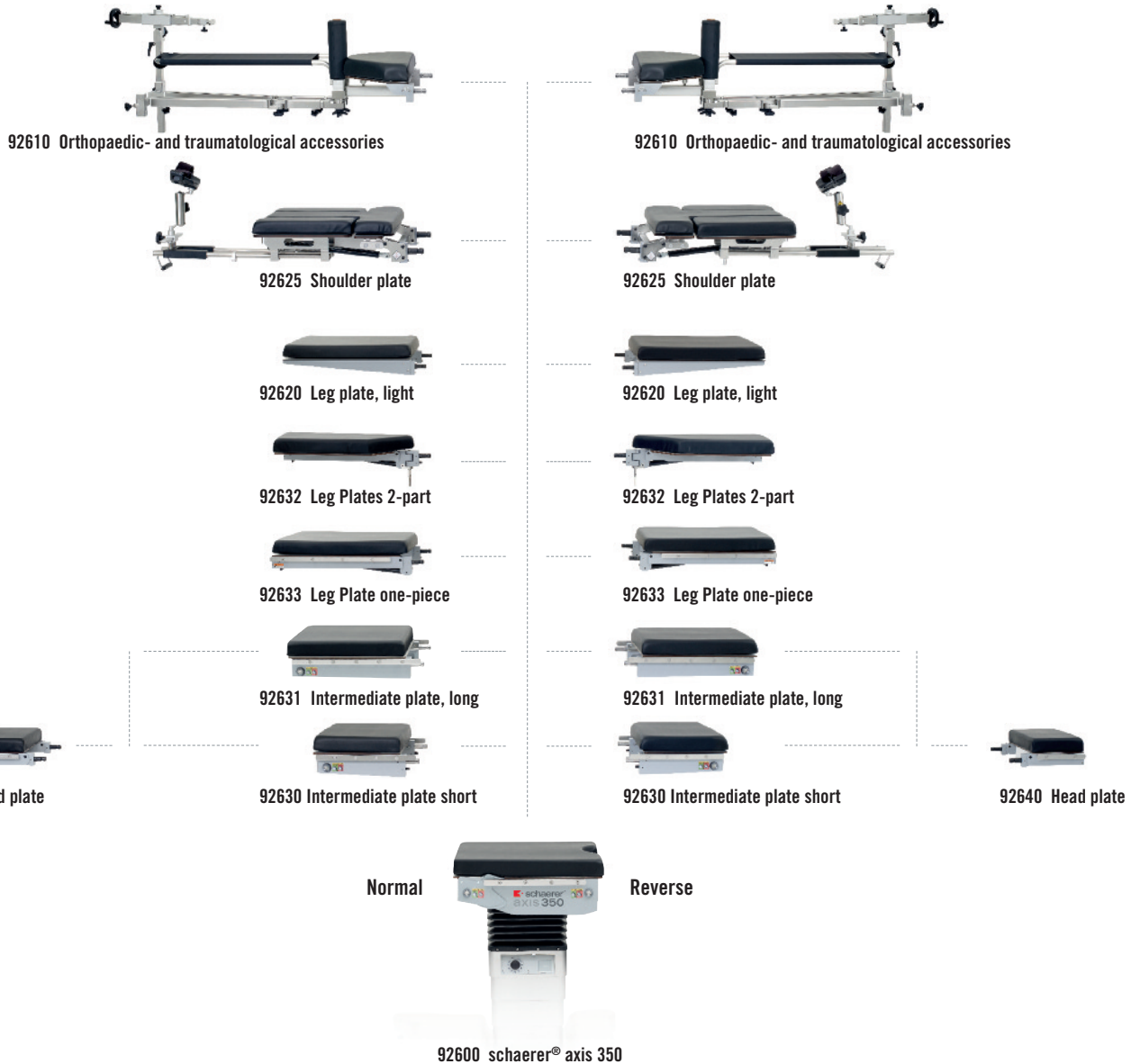
The new Schaerer Medical traction system combines fast, simple and secure attachments to the schaeerer® axis 350 operating table. The accessories are designed for precise positioning during lower extremity procedures.

Accessories for your surgical needs

Part No.	Name Article
Clamps	
580041	Attachment clamp , swivel type, with quick lock, for poles Ø16-18 mm.
580020	Attachment clamp , non-swivel type, with quick lock, for square section poles 20 x 20 mm.
580014	Attachment clamp , non-swivel type, for square-section poles 10 x 25 mm.
Arm rests	
580040	Arm rest , with arm strap and attachment clamp. Adjustable up/down, laterally height adjustable and swivelling through 180°, length: 600 mm, width: 150 mm.
90325	Arm rest, high , without clamp. With pad and Velcro fastener. Dimensions pad: 400 140 20 mm. Also for positioning of the arm under the table (order 90311 Rapid-action fixing clamp, non-rotating or 90537 Fixing clamp with fixing screw, non-rotating additionally or 90310 Rapid-action radial setting clamp, rotating or 90506 Radial setting clamp with fixing screw, rotating).
Body Supports	
580031	Holder for body support , without clamp, allows double swivelling and horizontal as well as vertical adjustment of the supports, 580032 / 580034 / 58003 (order 580020 Attachment clamp additionally).
580032	Shoulder / lateral support , 215 x 100 mm (order 580031 Holder for body support and 580020 Attachment clamp additionally).
580034	Back / buttock support , 200 x 120 mm (order 580031 Holder for body support and 580020 Attachment clamp additionally).
580033	Pubis / sacrum / sternum support , 85 x 85 mm (order 580031 Holder for body support and 580020 Attachment clamp additionally).
90277	Abdominal rest , with pad. Adjustable. Without radial setting clamps. For rectal positioning (order 2 pieces of 90310 Rapid-action radial setting clamp, rotating or 90506 Radial setting clamp with fixing screw, rotating additionally).
Knee / leg / foot rests	
90557	Knee cradle/foot plate , with pad. Without setting clamps. Dimensions: 300 x 600 x 60 mm. For fixing to the side rails of the leg plates (order additionally 2 pieces of 580014 Attachment clamps).
580086	Leg support (Goepel type, 1 piece) , with fastening strap, without clamp (order 580041 Attachment clamp additionally).
90079	Knee cradles (1 pair) , without clamps, with pads. Dimensions: 320 x 30 x 170 mm order 2 pieces of 81501 additionally).
Spine Surgery	
800-0235	SchureSpine Frame, radiolucent , adjustable flexion angle and width. Positioning for spinal surgery.
Bariatric	
800-0055	Nissen straps with 272 kg patient weight capacity , without clamps. Fixation on side rails, circular positioning around the proximal thigh. Especially for Reverse-Trendelenburg position (order 2 pieces of 800-0305 Fixing clamp additionally).

Table top attachments

Modularity at your convenience



ACCESSORIES

Technical data

Technical data	
Electrical main connection:	100 – 130 / 200-240 V AC, 50 – 60 Hz
Control voltage:	24 V DC
Battery charging time:	8 - 10 hours
Battery capacity:	22 Ah

Movements	Electro hydraulic	Manual
Height adjustment up / down	■	
Trendelenburg / Reverse	■	
Lateral tilt left / right	■	
Short plate up / down	■	
Head plate up / down	■ *	■
Flex / Reflex	■	
Zero position	■	
Intermediate plate up / down	■ *	
Leg plate up / down	■ *	■
Leg plates swivelling out 90°		■

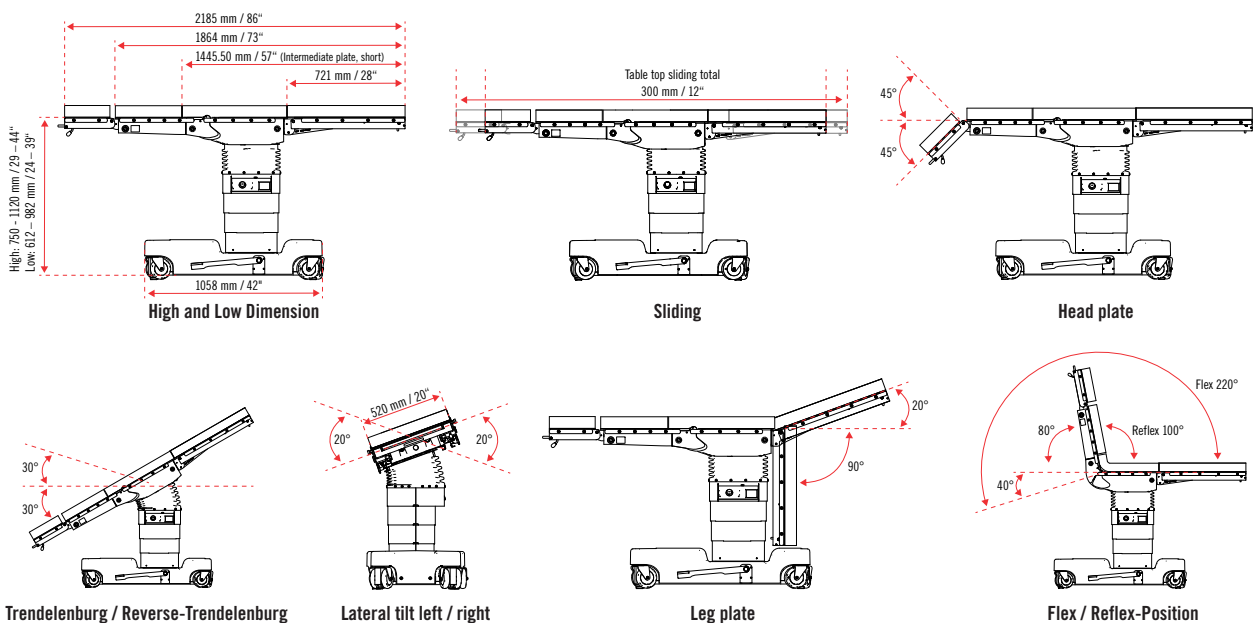
*(connected to the short plate)

Technical Specifications schaeerer® axis 350

Type	Value	Unit
Table weight without dedicated accessories	255 / 562	kg / lbs
Static workload	450 / 1000	kg / lbs
Dynamic workload	220 / 500	kg / lbs
Width of table top (without side rails)	520 / 20.5	mm / inch
Width of table top (with side rails)	580 / 22.8	mm / inch
Side rail dimension	25 x 10 / 1 x 0.4	mm / inch
X-ray window A-Position	1285 x 348 / 50.6 x 13.7	mm / inch
X-ray window B-Position	1135 x 348 / 44.7 x 13.7	mm / inch
Column Range axis 350 High (lowest & highest position, without pad)	750 – 1120 / 29.5 – 44.1	mm / inch
Column Range axis 350 Low (lowest & highest position, without pad)	612 – 982 / 24.1 – 38.7	mm / inch
Column moving range (high & low)	370 / 14.6	mm / inch
Table top slide	300 / 11.8	mm / inch
Trendelenburg / Reversed Trendelenburg	30	degree
Lateral tilting left / right	20	degree
Short plate up (motorized)	80	degree
Short plate down (motorized)	40	degree

Dedicated accessories

Type	Movements	Value	Unit
Head rest up	Manual	45	degree
Head rest down	Manual	45	degree
Leg plate up	Electrical / Manual	20	degree
Leg plate down	Electrical / Manual	90	degree
Length of the head rest	Manual	321 / 12.6	mm / inch
Length of the intermediate plate short	Electrical	419 / 16.5	mm / inch
Length of the intermediate plate long	Electrical	569 / 22.4	mm / inch
Length of the leg plate one-piece	Electrical / Manual	783 / 30.8	mm / inch
Length of the leg plate 2-part	Electrical / Manual	783 / 30.8	mm / inch



Schaerer Medical AG

Erlenauweg 17

CH-3110 Münsingen

Tel. +41 31 720 22 00

Fax +41 31 720 22 30

info@schaerermedical.ch

www.schaerermedical.ch

Schaerer Medical USA, Inc.

675 Wilmer Ave

Cincinnati, OH 45226

Tel. +1 513 561 2241

Fax +1 513 561 0195

info@schaerermedicalusa.com

www.schaerermedicalusa.com